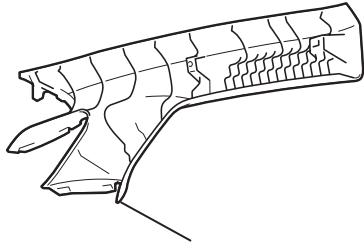

INSTRUMENT PANEL SAFETY PAD

PRECAUTION

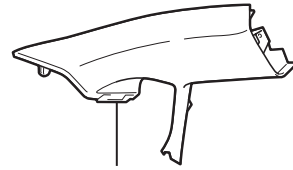
1. **PRECAUTION FOR VEHICLE WITH SRS AIRBAG AND SEAT BELT PRETENSIONER**
 - (a) Some operations in this section may affect the SRS airbags. Prior to performing the corresponding operations, read the SRS airbag NOTICE (see page [RS-1](#)).

COMPONENTS

NO. 1 INSTRUMENT PANEL SPEAKER PANEL SUB-ASSEMBLY (w/ JBL Sound System)



FRONT PILLAR GARNISH LH



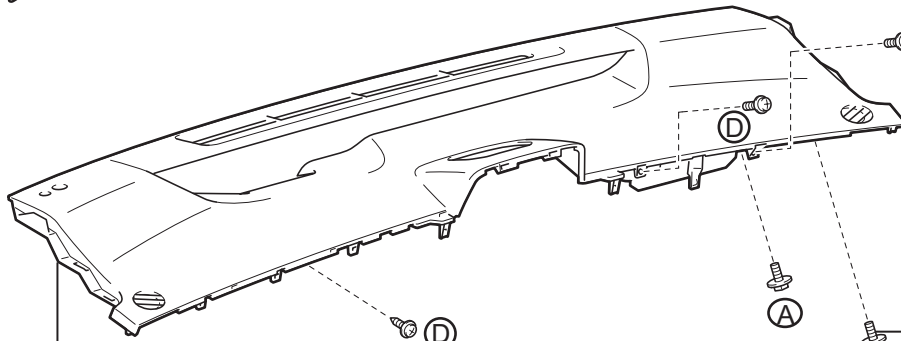
FRONT PILLAR GARNISH RH



FRONT PILLAR GARNISH CORNER PIECE RH

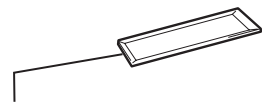


FRONT PILLAR GARNISH CORNER PIECE LH



INSTRUMENT PANEL SAFETY PAD

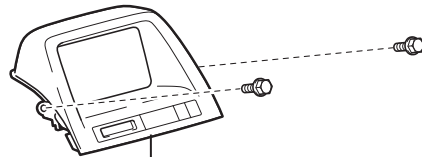
20 (204, 15)



INSTRUMENT CLUSTER FINISH PANEL END



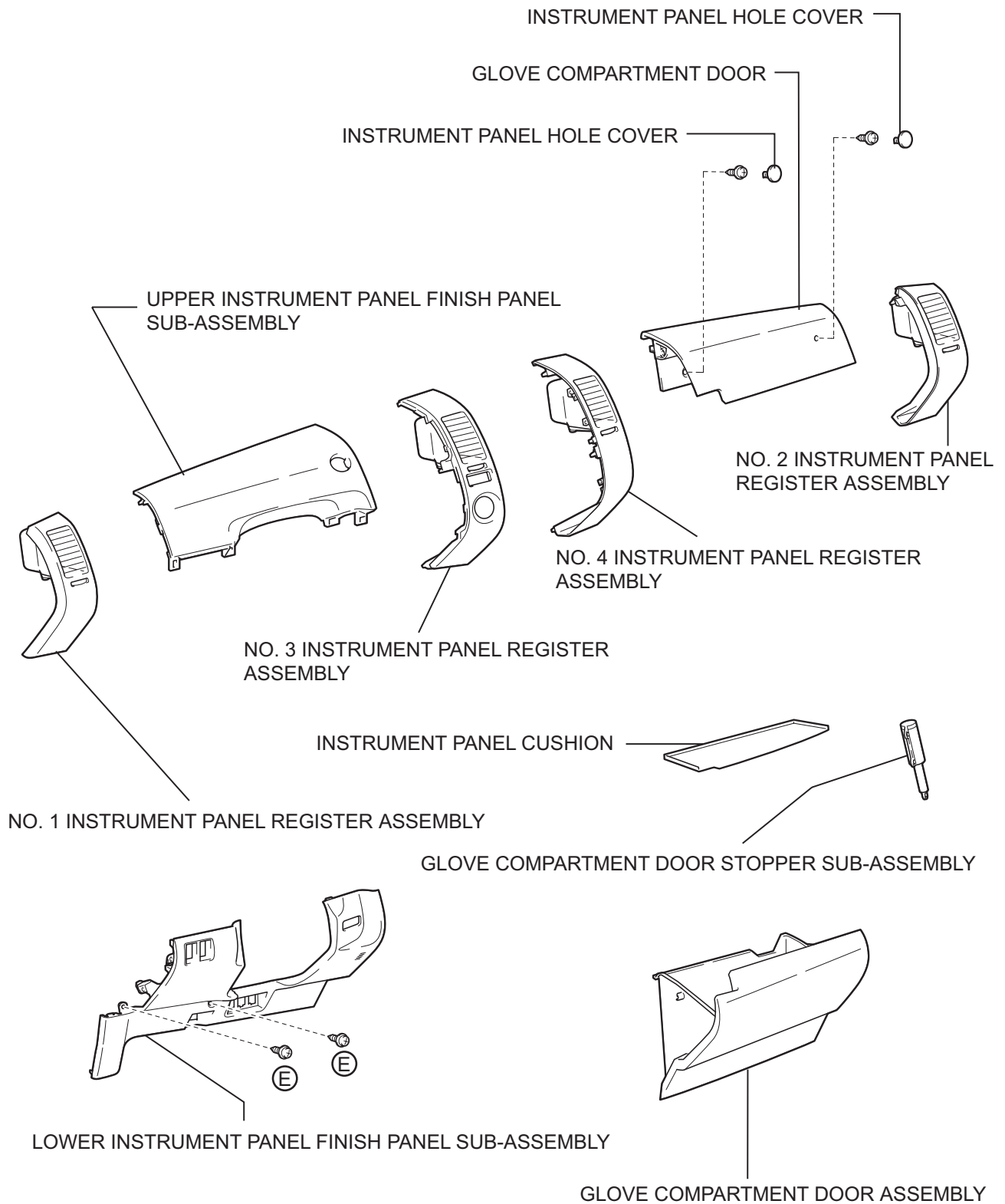
CLOCK ASSEMBLY



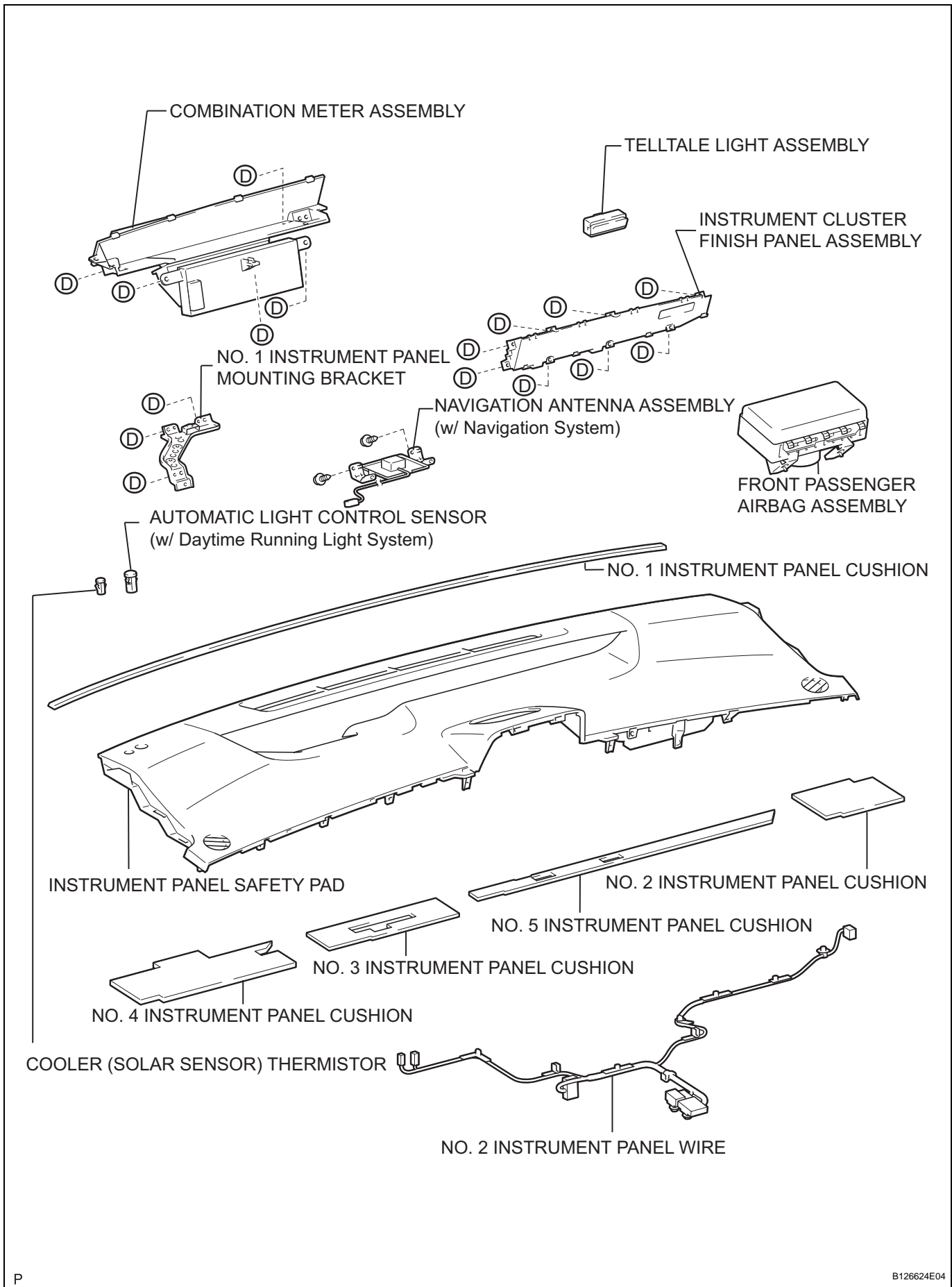
MULTI-DISPLAY ASSEMBLY

N*m (kgf*cm, ft.*lbf) : Specified torque

IP



IP



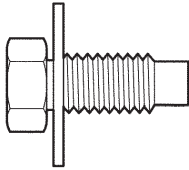
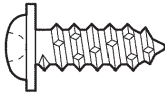
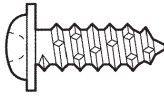
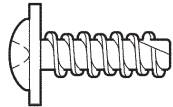
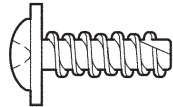
REMOVAL

1. TABLE OF BOLT, SCREW AND NUT

HINT:

All bolts, screws and nuts relevant to installing and removing the instrument panel are shown along with an alphabetical code in the table below.

mm (in.) (L = Length)

Code	Shape	Code	Shape	Code	Shape
<A>	 <p>$\phi = 8$ (0.31) L=20 (0.79)</p> <p>91633-60820</p>		 <p>$\phi = 5$ (0.20) L=16 (0.63)</p> <p>B30768 93567- 15016</p>	<C>	 <p>$\phi = 5$ (0.20) L=14 (0.55)</p> <p>B50922 93567- 55014</p>
<D>	 <p>$\phi = 5$ (0.20) L=14 (0.55)</p> <p>93568-55014</p>	<E>	 <p>$\phi = 5$ (0.20) L=18 (0.71)</p> <p>93568-55018</p>		

P B074072E03

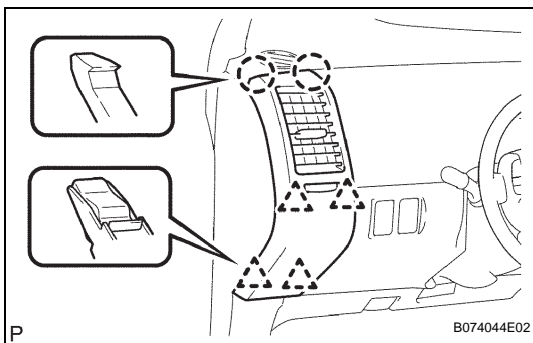
2. DISCONNECT CABLE FROM NEGATIVE BATTERY TERMINAL

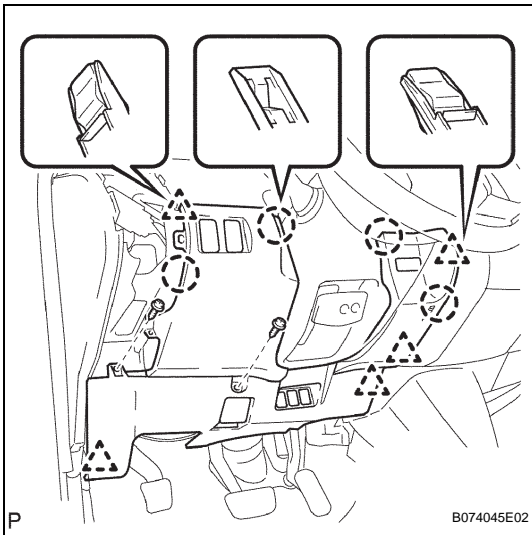
CAUTION:

Wait at least 90 seconds after disconnecting the cable from the negative (-) battery terminal to prevent airbag and seat belt pretensioner activation.

3. REMOVE NO. 1 INSTRUMENT PANEL REGISTER ASSEMBLY

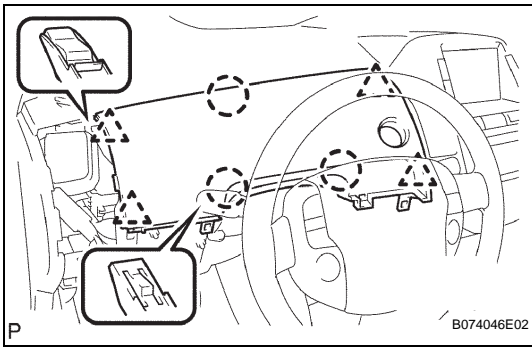
- (a) Detach the 2 claws and 4 clips, and remove the instrument panel register.





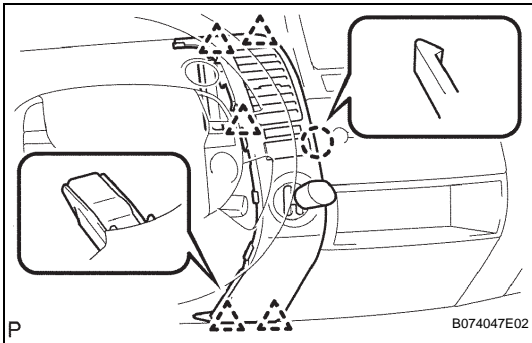
4. REMOVE LOWER INSTRUMENT PANEL FINISH PANEL SUB-ASSEMBLY

- (a) Remove the 2 screws.
- (b) Disconnect the hood lock control cable.
- (c) Detach the 4 claws and 5 clips.
- (d) Disconnect all connectors and remove the instrument panel finish panel.



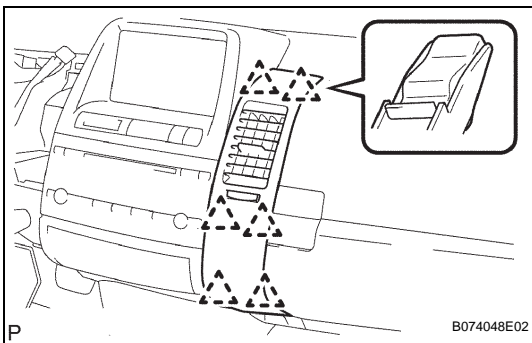
5. REMOVE UPPER INSTRUMENT PANEL FINISH PANEL SUB-ASSEMBLY

- (a) Detach the 3 claws and 4 clips.
- (b) Disconnect the connector and remove the instrument panel finish panel.



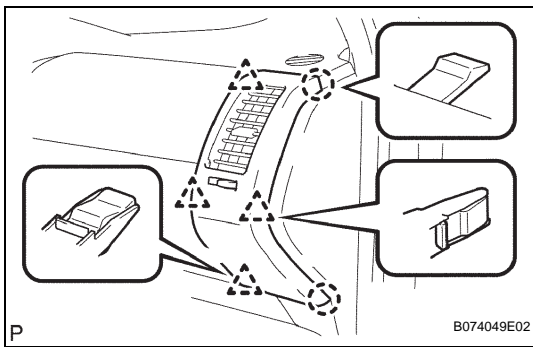
6. REMOVE NO. 3 INSTRUMENT PANEL REGISTER ASSEMBLY

- (a) Detach the claw and 5 clips.
- (b) Disconnect the connector and remove the instrument panel register.



7. REMOVE NO. 4 INSTRUMENT PANEL REGISTER ASSEMBLY

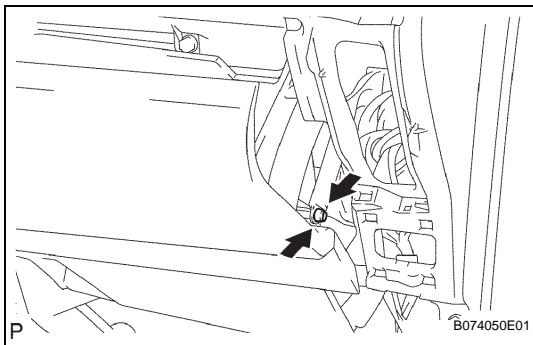
- (a) Detach the 6 clips and remove the instrument panel register.



8. REMOVE NO. 2 INSTRUMENT PANEL REGISTER ASSEMBLY

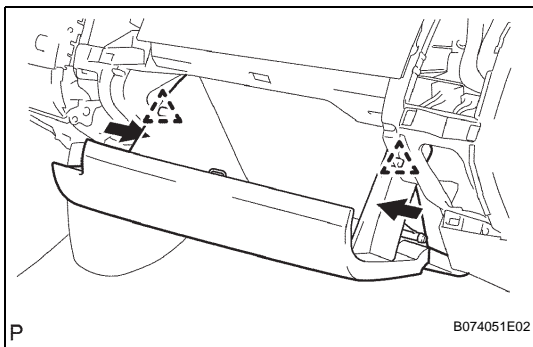
(a) Detach the 2 claws and 4 clips, and remove the instrument panel register.

9. REMOVE MULTI-DISPLAY ASSEMBLY



10. REMOVE GLOVE COMPARTMENT DOOR STOPPER SUB-ASSEMBLY

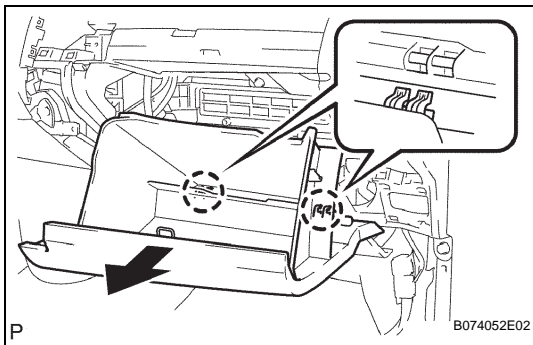
(a) Holding the part indicated in the illustration, remove the glove compartment door stopper from the glove compartment door.



11. REMOVE GLOVE COMPARTMENT DOOR ASSEMBLY

(a) While pushing in the sides of the glove compartment door as indicated by the arrows in the illustration, open the door to release it from the 2 stoppers.
 (b) Open the door until it is horizontal.

(c) Pull the glove compartment door toward the rear of the vehicle to detach the 2 hinges and remove the glove compartment door.



12. REMOVE INSTRUMENT PANEL CUSHION

13. REMOVE INSTRUMENT CLUSTER FINISH PANEL END

14. REMOVE INSTRUMENT PANEL HOLE COVER

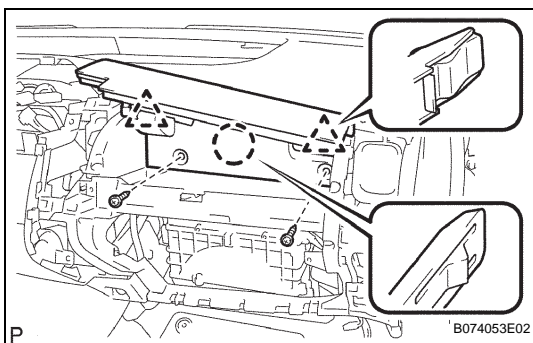
(a) Using a screwdriver, remove the 2 instrument panel hole covers.

15. REMOVE GLOVE COMPARTMENT DOOR

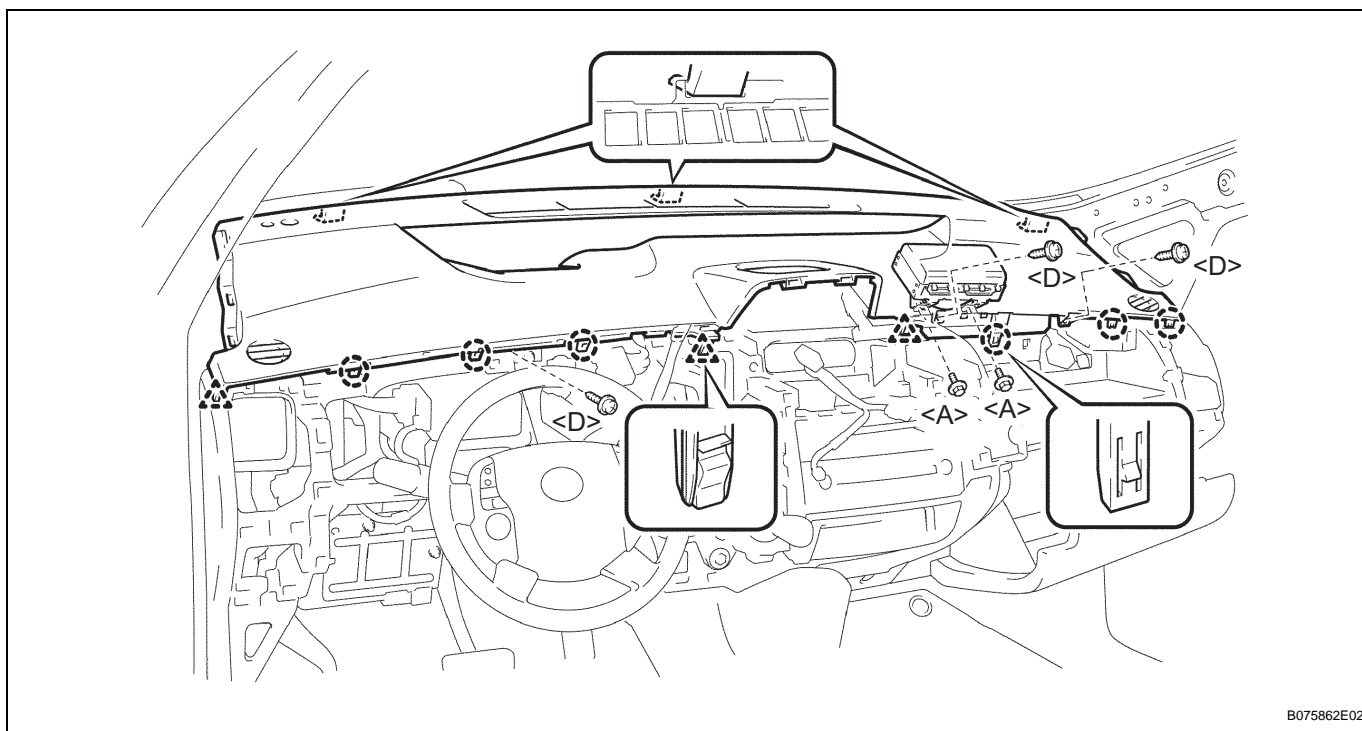
(a) Remove the 2 screws.
 (b) Detach the claw and 2 clips, and remove the glove compartment door.

16. REMOVE NO. 1 INSTRUMENT PANEL SPEAKER PANEL SUB-ASSEMBLY (w/ JBL Sound System)

17. REMOVE FRONT PILLAR GARNISH CORNER PIECE LH (See page IR-19)



18. REMOVE FRONT PILLAR GARNISH CORNER PIECE RH (See page IR-19)
19. REMOVE FRONT PILLAR GARNISH LH (See page IR-18)
20. REMOVE FRONT PILLAR GARNISH RH (See page IR-18)
21. DISCONNECT PASSENGER AIRBAG CONNECTOR
22. REMOVE INSTRUMENT PANEL SAFETY PAD
 - (a) Remove the 3 screws.
 - (b) Remove the 2 bolts.
 - (c) Pull up the instrument panel to detach the 6 claws and 3 clips.
 - (d) Remove the instrument panel.

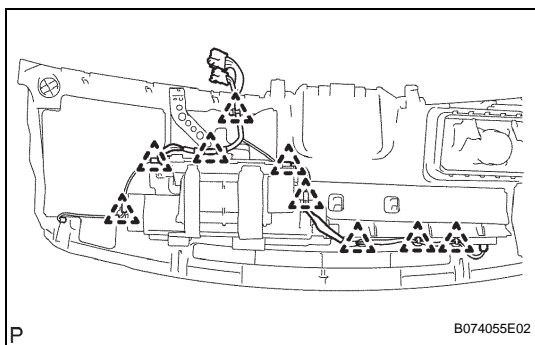


B075862E02

IP

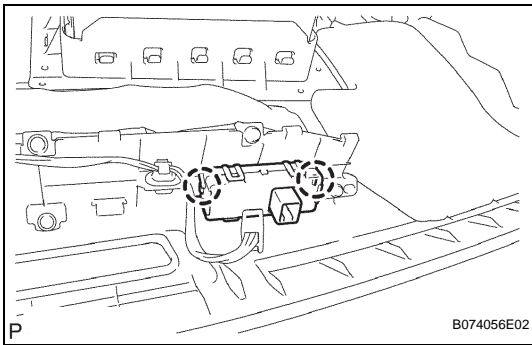
DISASSEMBLY

1. REMOVE NO. 2 INSTRUMENT PANEL WIRE
 - (a) Detach the 9 clamps and remove the instrument panel wire.
2. REMOVE COOLER (SOLAR SENSOR) THERMISTOR
3. REMOVE AUTOMATIC LIGHT CONTROL SENSOR (w/ Daytime Running Light System)



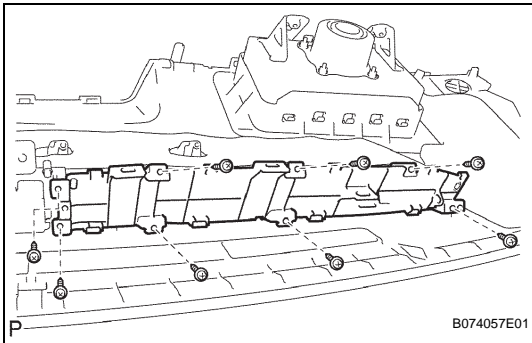
P

B074055E02



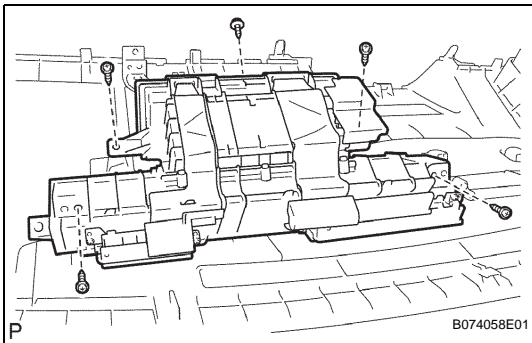
4. REMOVE TELLTALE LIGHT ASSEMBLY

- (a) Detach the 2 claws and remove the telltale light.



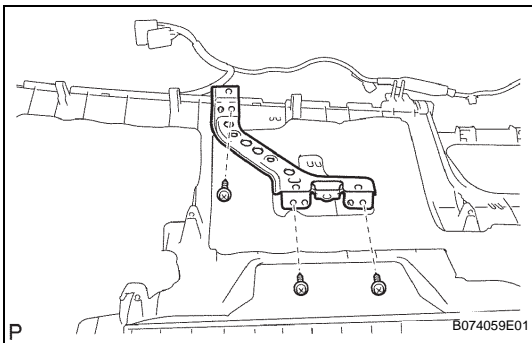
5. REMOVE INSTRUMENT CLUSTER FINISH PANEL ASSEMBLY

- (a) Remove the 8 screws and instrument cluster finish panel.



6. REMOVE COMBINATION METER ASSEMBLY

- (a) Remove the 5 screws and combination meter.



7. REMOVE NO. 1 INSTRUMENT PANEL MOUNTING BRACKET

- (a) Remove the 3 screws and instrument panel mounting bracket.

8. REMOVE NAVIGATION ANTENNA ASSEMBLY (w/ Navigation System)

9. REMOVE FRONT PASSENGER AIRBAG ASSEMBLY

10. REMOVE NO. 1 INSTRUMENT PANEL CUSHION

11. REMOVE NO. 2 INSTRUMENT PANEL CUSHION

12. REMOVE NO. 3 INSTRUMENT PANEL CUSHION

13. REMOVE NO. 4 INSTRUMENT PANEL CUSHION

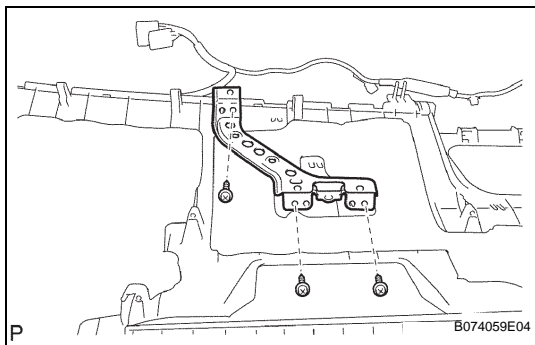
14. REMOVE NO. 5 INSTRUMENT PANEL CUSHION

REASSEMBLY

1. INSTALL NO. 5 INSTRUMENT PANEL CUSHION
2. INSTALL NO. 4 INSTRUMENT PANEL CUSHION
3. INSTALL NO. 3 INSTRUMENT PANEL CUSHION
4. INSTALL NO. 2 INSTRUMENT PANEL CUSHION
5. INSTALL NO. 1 INSTRUMENT PANEL CUSHION
6. INSTALL FRONT PASSENGER AIRBAG ASSEMBLY
7. INSTALL NAVIGATION ANTENNA ASSEMBLY (w/ Navigation System)

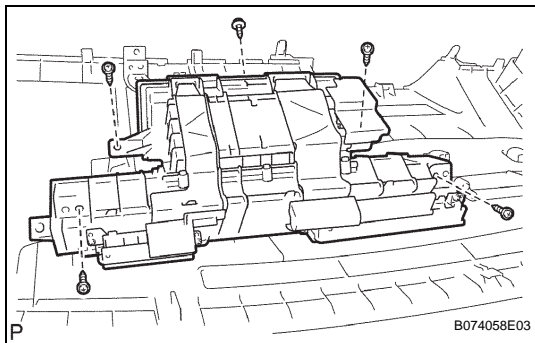
8. INSTALL NO. 1 INSTRUMENT PANEL MOUNTING BRACKET

- (a) Install the instrument panel mounting bracket with the 3 screws.



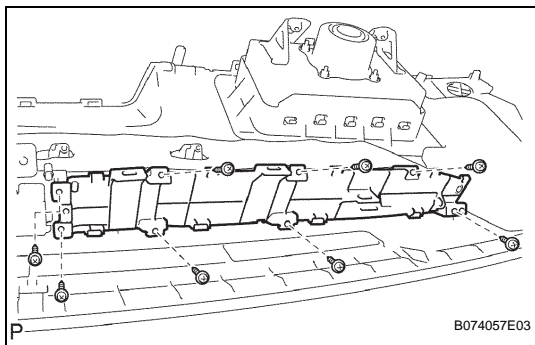
9. INSTALL COMBINATION METER ASSEMBLY

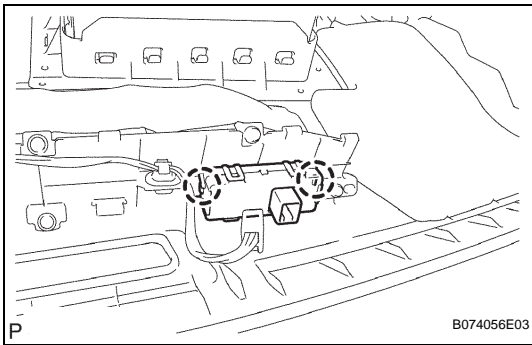
- (a) Install the combination meter with the 5 screws.



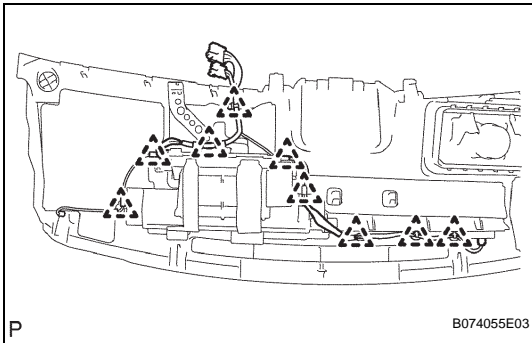
10. INSTALL INSTRUMENT CLUSTER FINISH PANEL ASSEMBLY

- (a) Install the instrument cluster finish panel with the 8 screws.



**11. INSTALL TELLTALE LIGHT ASSEMBLY**

(a) Attach the 2 claws to install the telltale light.

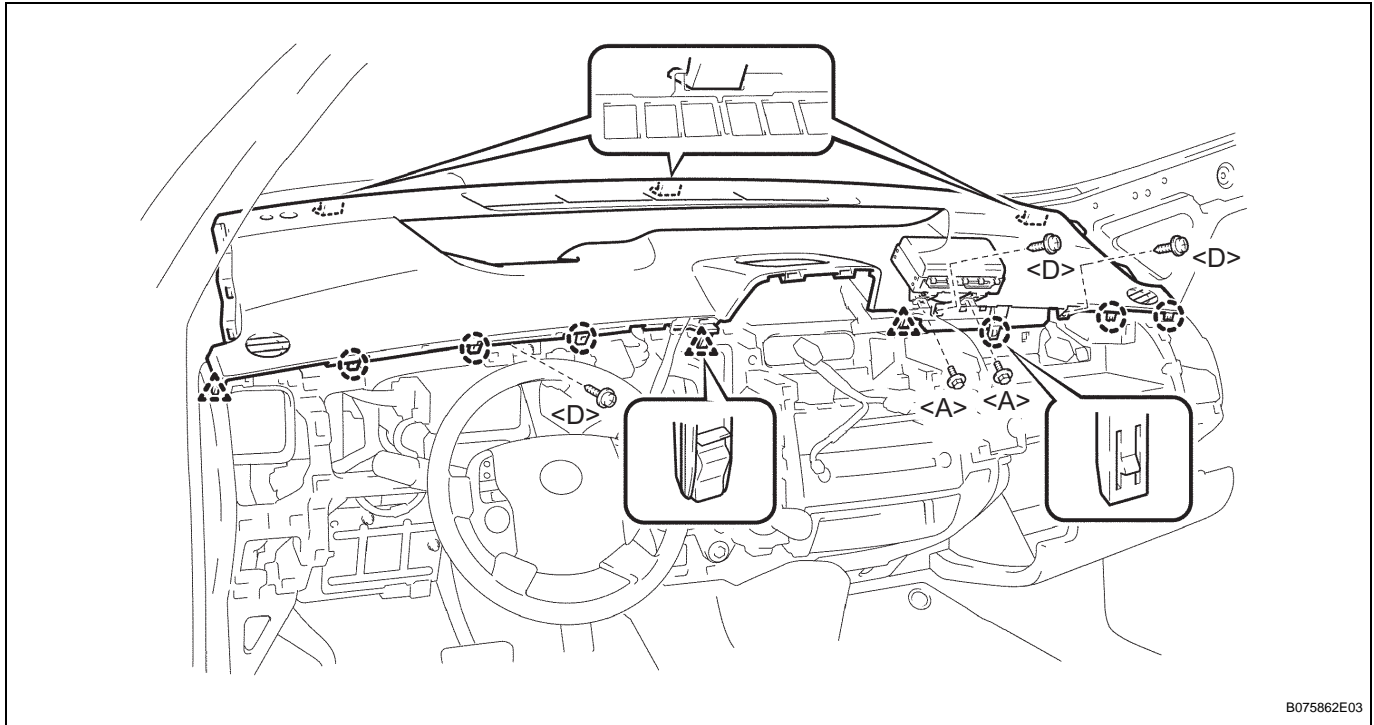
12. INSTALL AUTOMATIC LIGHT CONTROL SENSOR (w/ Daytime Running Light System)**13. INSTALL COOLER (SOLAR SENSOR) THERMISTOR****14. INSTALL NO. 2 INSTRUMENT PANEL WIRE**

(a) Attach the 9 clamps to install the instrument panel wire.

INSTALLATION

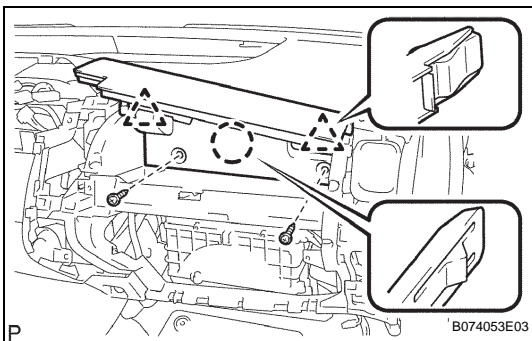
1. INSTALL INSTRUMENT PANEL SAFETY PAD

- (a) Attach the 6 claws and 3 clips to install the instrument panel.
- (b) Install the 2 bolts.
- (c) Install the 3 screws.



B075862E03

2. CONNECT PASSENGER AIRBAG CONNECTOR
3. INSTALL FRONT PILLAR GARNISH LH (See page [IR-18](#))
4. INSTALL FRONT PILLAR GARNISH RH (See page [IR-17](#))
5. INSTALL FRONT PILLAR GARNISH CORNER PIECE LH (See page [IR-19](#))
6. INSTALL FRONT PILLAR GARNISH CORNER PIECE RH (See page [IR-19](#))
7. INSTALL NO. 1 INSTRUMENT PANEL SPEAKER PANEL SUB-ASSEMBLY (w/ JBL Sound System)
8. INSTALL GLOVE COMPARTMENT DOOR
 - (a) Attach the claw and 2 clips to install the glove compartment door.
 - (b) Install the 2 screws.
9. INSTALL INSTRUMENT PANEL HOLE COVER
 - (a) Install the 2 instrument panel hole covers.
10. INSTALL INSTRUMENT CLUSTER FINISH PANEL END
11. INSTALL INSTRUMENT PANEL CUSHION

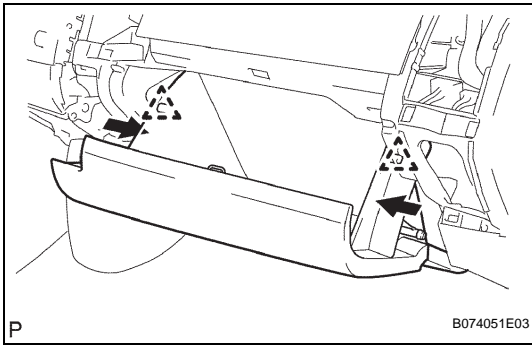


B074053E03

P

12. INSTALL GLOVE COMPARTMENT DOOR ASSEMBLY

- (a) Attach the 2 hinges to install the door.
- (b) While pushing in the sides of the glove compartment door as indicated by the arrows in the illustration, engage it to the 2 stoppers.

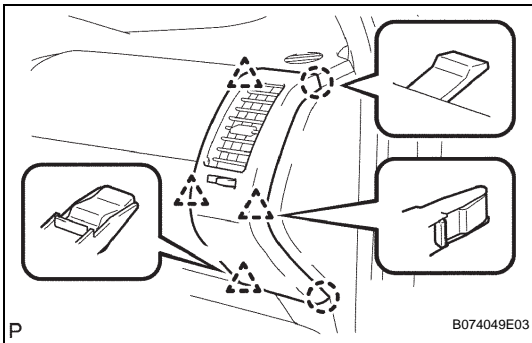


13. INSTALL GLOVE COMPARTMENT DOOR STOPPER SUB-ASSEMBLY

14. INSTALL MULTI-DISPLAY ASSEMBLY

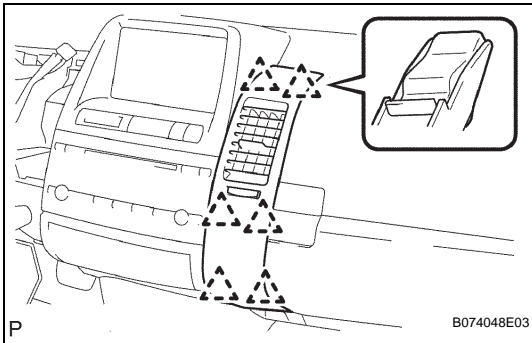
15. INSTALL NO. 2 INSTRUMENT PANEL REGISTER ASSEMBLY

- (a) Attach the 2 claws and 4 clips to install the instrument panel register.



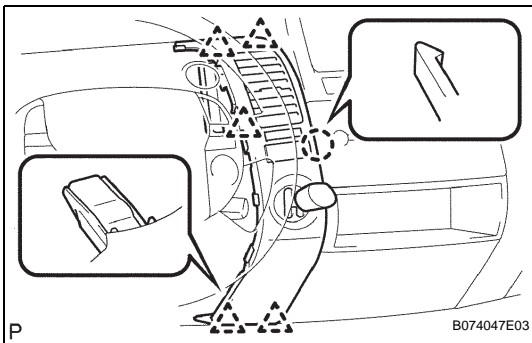
16. INSTALL NO. 4 INSTRUMENT PANEL REGISTER ASSEMBLY

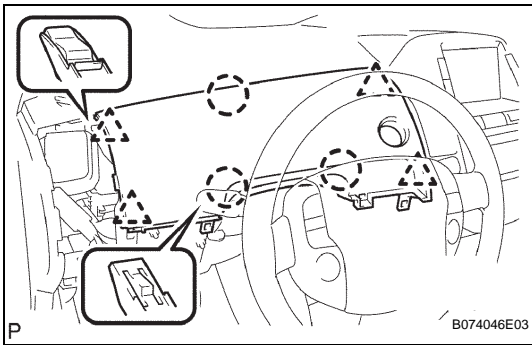
- (a) Attach the 6 clips to install the instrument panel register.



17. INSTALL NO. 3 INSTRUMENT PANEL REGISTER ASSEMBLY

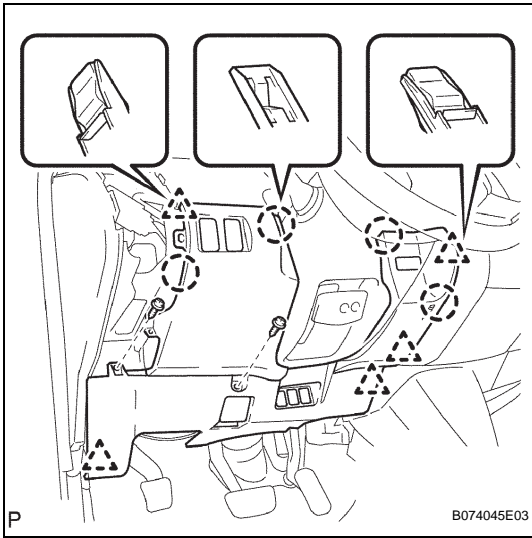
- (a) Connect the connector.
- (b) Attach the claw and 5 clips to install the instrument panel register.





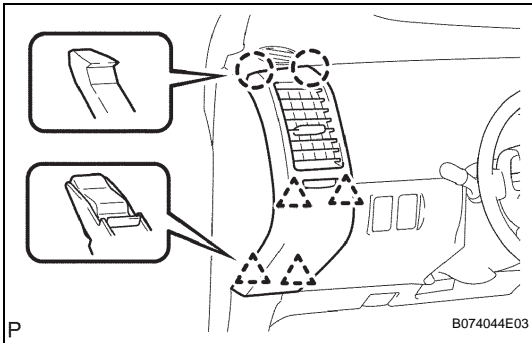
18. INSTALL UPPER INSTRUMENT PANEL FINISH PANEL SUB-ASSEMBLY

- (a) Connect the connector.
- (b) Attach the 3 claws and 4 clips to install the instrument panel finish panel.



19. INSTALL LOWER INSTRUMENT PANEL FINISH PANEL SUB-ASSEMBLY

- (a) Connect the connectors.
- (b) Attach the 4 claws and 5 clips to install the instrument panel finish panel.
- (c) Connect the hood lock control cable.
- (d) Install the 2 screws.



20. INSTALL NO. 1 INSTRUMENT PANEL REGISTER ASSEMBLY

- (a) Attach the 2 claws and 4 clips to install the instrument panel register.

21. CONNECT CABLE TO NEGATIVE BATTERY TERMINAL

22. PERFORM INITIALIZATION

- (a) Perform initialization (see page [IN-32](#)).

NOTICE:

Certain systems need to be initialized after disconnecting and reconnecting the cable from the negative (-) battery terminal.

23. CHECK SRS WARNING LIGHT

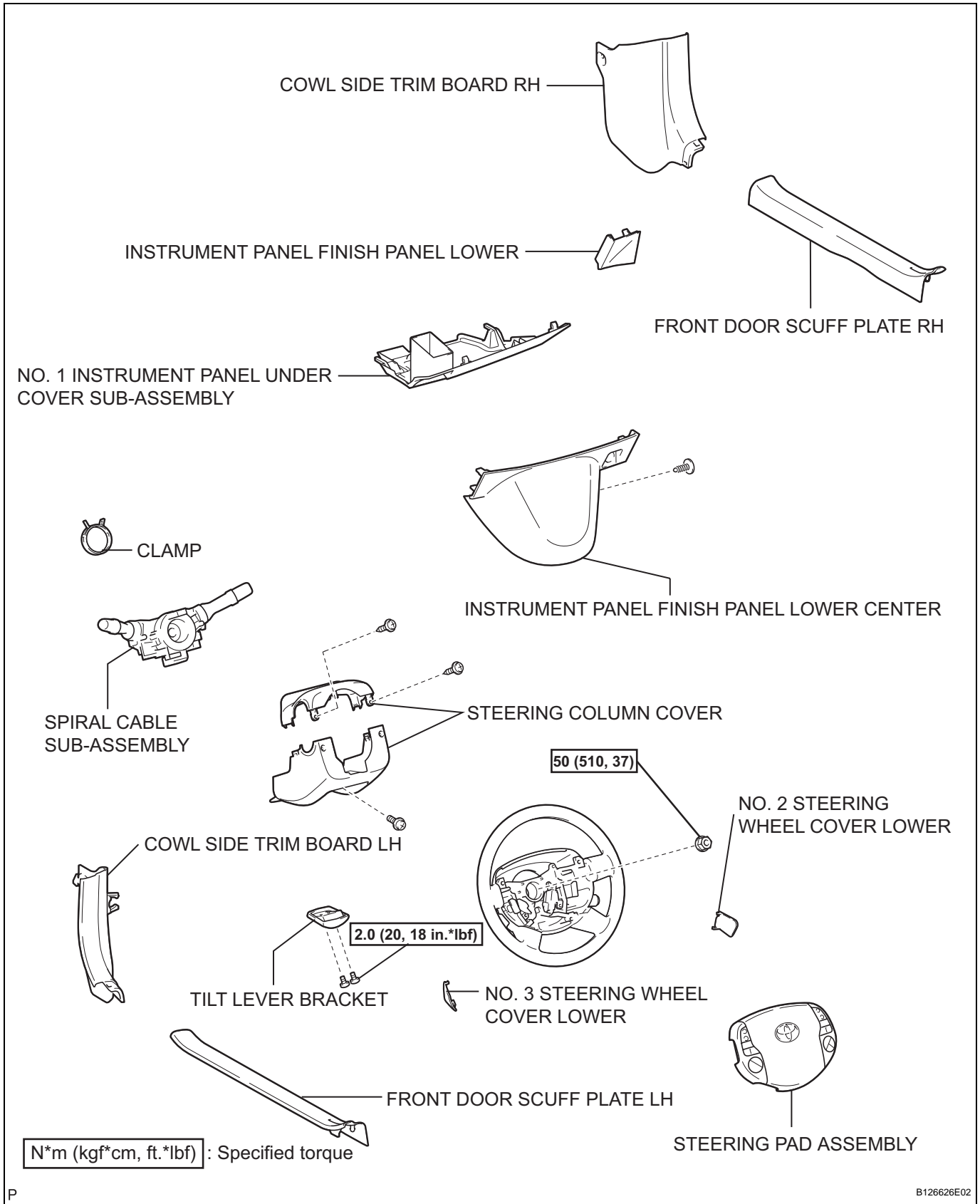
- (a) Check the SRS warning light (see page [RS-31](#)).

LOWER INSTRUMENT PANEL

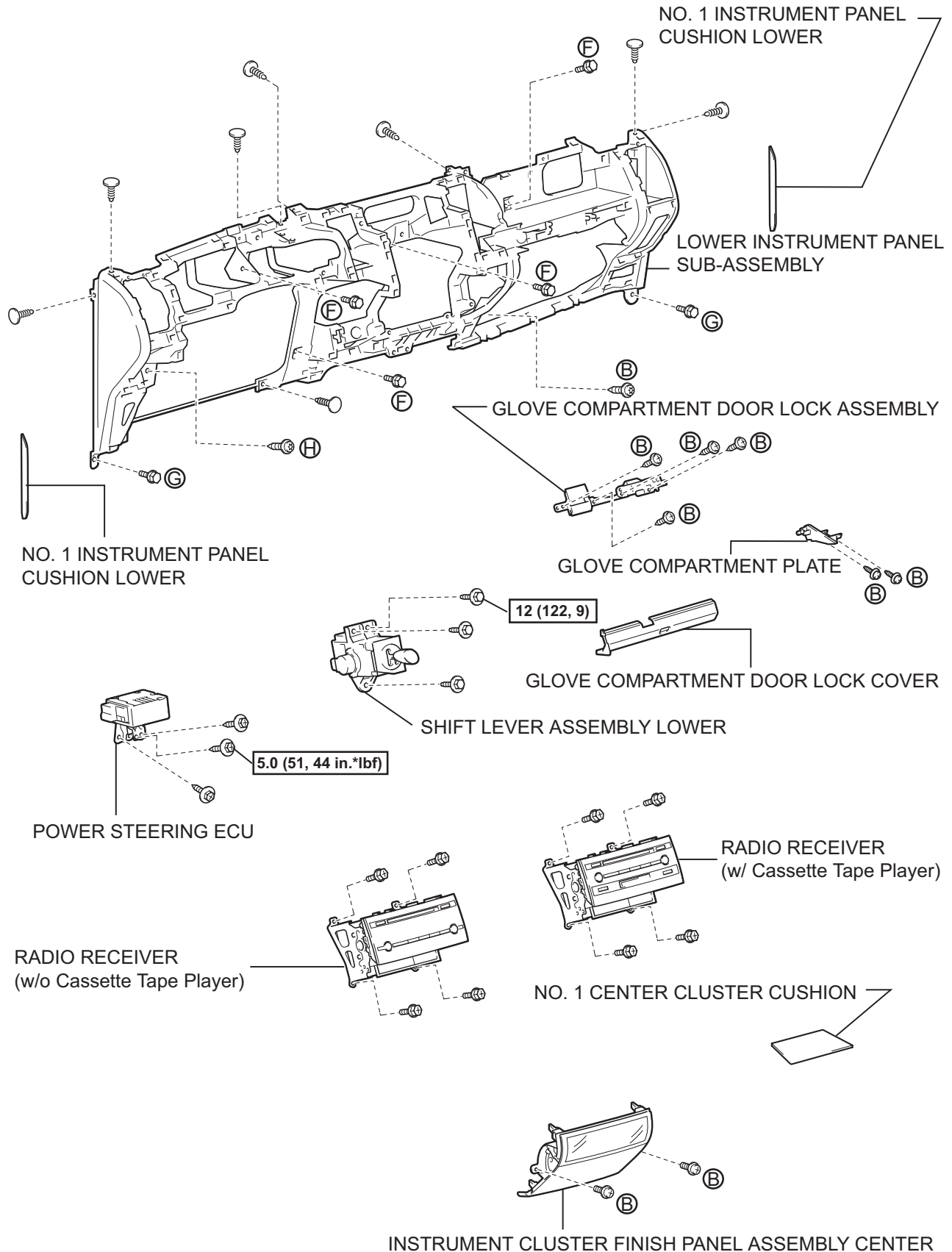
PRECAUTION

1. **PRECAUTION FOR VEHICLE WITH SRS AIRBAG AND SEAT BELT PRETENSIONER**
 - (a) Some operations in this section may affect the SRS airbags. Prior to performing the corresponding operations, read the SRS airbag NOTICE (see page [RS-1](#)).

COMPONENTS



IP



N*m (kgf*cm, ft.*lbf) : Specified torque



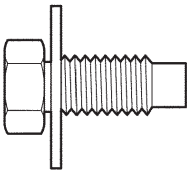
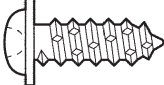
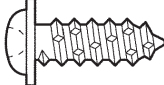
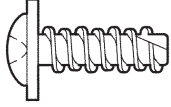
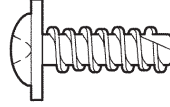
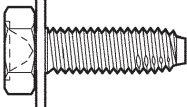
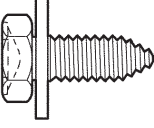
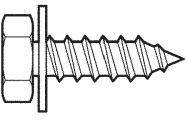
REMOVAL

1. TABLE OF BOLT, SCREW AND NUT

HINT:

All bolts, screws and nuts relevant to installing and removing the instrument panel are shown along with an alphabetical code in the table below.

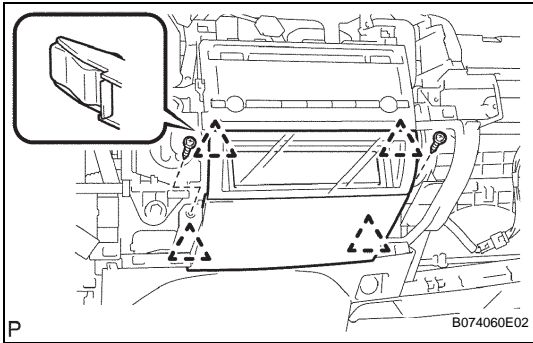
mm (in.) (L = Length)

Code	Shape	Code	Shape	Code	Shape
<A>	 <p>$\phi = 8$ (0.31) L = 20 (0.79)</p> <p>91633-60820</p>		 <p>$\phi = 5$ (0.20) L = 16 (0.63)</p> <p>B30768 93567- 15016</p>	<C>	 <p>$\phi = 5$ (0.20) L = 14 (0.55)</p> <p>B50922 93567- 55014</p>
<D>	 <p>$\phi = 5$ (0.20) L = 14 (0.55)</p> <p>93568-55014</p>	<E>	 <p>$\phi = 5$ (0.20) L = 18 (0.71)</p> <p>93568-55018</p>	<F>	 <p>$\phi = 6$ (0.24) L = 20 (0.79)</p> <p>90159 -60610</p>
<G>	 <p>$\phi = 6$ (0.24) L = 16 (0.63)</p> <p>91635-60616</p>	<H>	 <p>$\phi = 6$ (0.24) L = 20 (0.79)</p> <p>90159 -60200</p>		

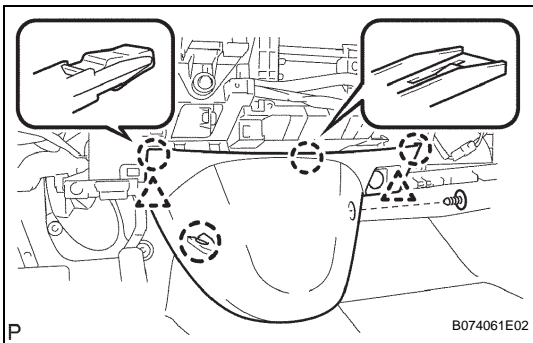
P B074073E02

2. **DISCONNECT CABLE FROM NEGATIVE BATTERY TERMINAL**
3. **REMOVE INSTRUMENT PANEL SAFETY PAD**
(a) Remove the instrument panel (see page [IP-5](#)).
4. **REMOVE NO. 2 STEERING WHEEL COVER LOWER**
5. **REMOVE NO. 3 STEERING WHEEL COVER LOWER**
6. **REMOVE STEERING PAD ASSEMBLY** (See page [RS-268](#))
7. **REMOVE STEERING WHEEL ASSEMBLY** (See page [SR-8](#))
8. **REMOVE TILT LEVER BRACKET** (See page [SR-8](#))
9. **REMOVE STEERING COLUMN COVER** (See page [SR-8](#))
10. **REMOVE SPIRAL CABLE SUB-ASSEMBLY** (See page [RS-278](#))

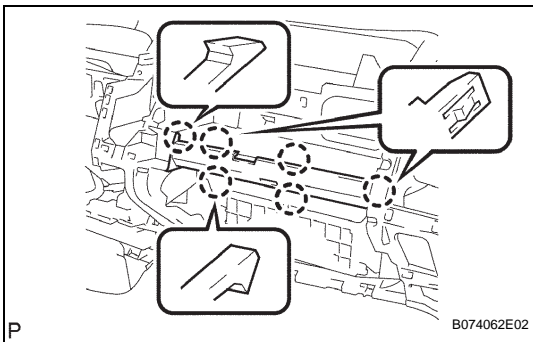
11. REMOVE FRONT DOOR SCUFF PLATE LH (See page [IR-7](#))
12. REMOVE FRONT DOOR SCUFF PLATE RH (See page [IR-7](#))
13. REMOVE COWL SIDE TRIM BOARD LH (See page [IR-7](#))
14. REMOVE COWL SIDE TRIM BOARD RH (See page [IR-7](#))
15. REMOVE INSTRUMENT CLUSTER FINISH PANEL ASSEMBLY CENTER
 - (a) Remove the 2 screws.
 - (b) Detach the 4 clips and remove the instrument cluster finish panel.
16. REMOVE NO. 1 CENTER CLUSTER CUSHION
17. REMOVE RADIO RECEIVER



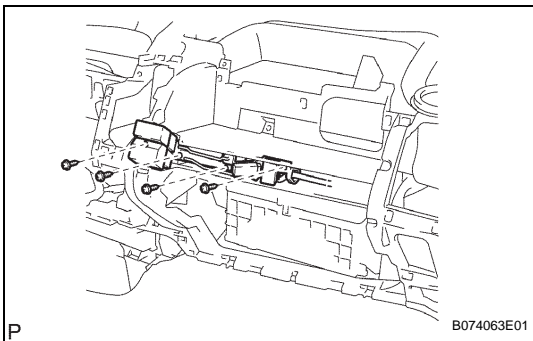
18. REMOVE INSTRUMENT PANEL FINISH PANEL LOWER CENTER
 - (a) Using a clip remover, remove the clip from the instrument panel finish panel lower center.
 - (b) Detach the 4 claws and 2 clips, and remove the instrument panel finish panel.

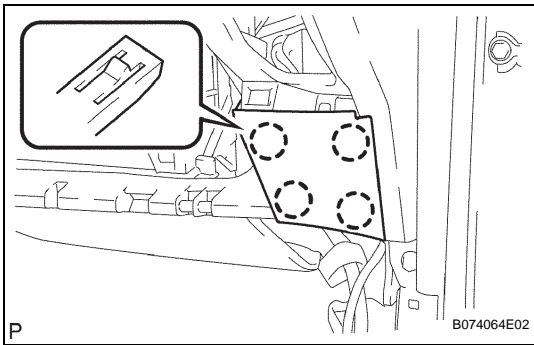


19. REMOVE GLOVE COMPARTMENT DOOR LOCK COVER
 - (a) Detach the 6 claws and remove the glove compartment door lock cover.



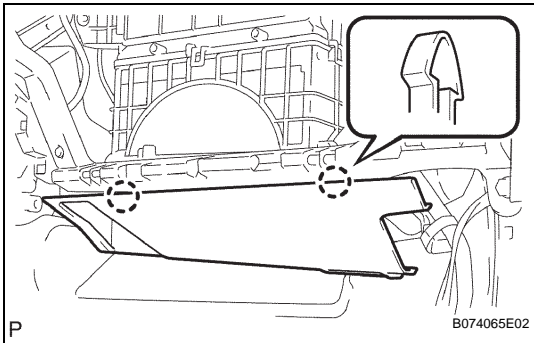
20. REMOVE GLOVE COMPARTMENT DOOR LOCK ASSEMBLY
 - (a) Remove the 4 screws and glove compartment door lock.





21. REMOVE INSTRUMENT PANEL FINISH PANEL LOWER

- (a) Detach the 4 claws and remove the instrument panel finish panel.



22. REMOVE NO. 1 INSTRUMENT PANEL UNDER COVER SUB-ASSEMBLY

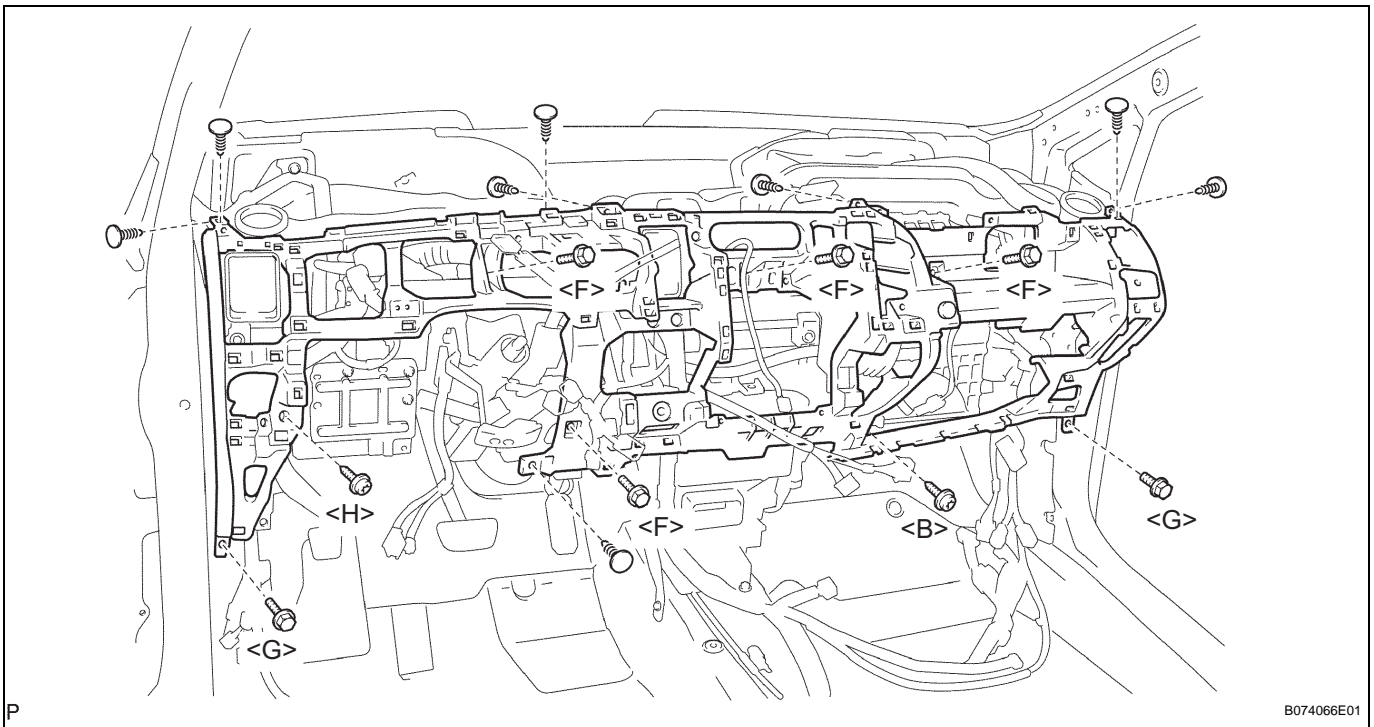
- (a) Detach the 2 claws and remove the instrument panel under cover.

23. REMOVE POWER STEERING ECU

24. REMOVE SHIFT LEVER ASSEMBLY LOWER

25. REMOVE LOWER INSTRUMENT PANEL SUB-ASSEMBLY

- (a) Using a clip remover, remove the 8 clips from the duct and lower instrument panel.
- (b) Remove the 6 bolts.
- (c) Remove the 2 screws.
- (d) Disconnect all connectors, and detach all clamps.
- (e) Remove the instrument panel.



DISASSEMBLY

- 1. REMOVE GLOVE COMPARTMENT PLATE**
 - (a) Remove the 2 screws.
 - (b) Detach the 2 claws and remove the glove compartment plate.
- 2. REMOVE NO. 1 INSTRUMENT PANEL CUSHION LOWER**

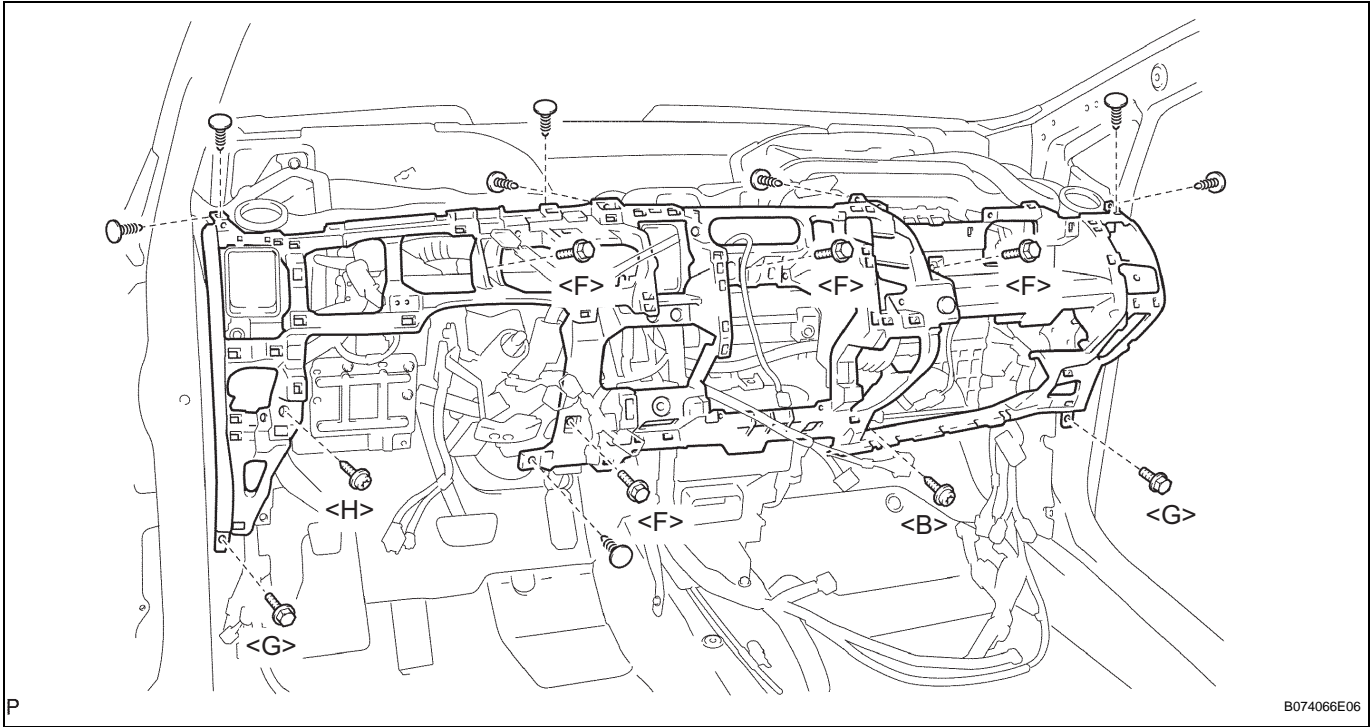
REASSEMBLY

1. **INSTALL NO. 1 INSTRUMENT PANEL CUSHION LOWER**
2. **INSTALL GLOVE COMPARTMENT PLATE**
 - (a) Attach the 2 claws to install the glove compartment door.
 - (b) Install the 2 screws.

INSTALLATION

1. INSTALL LOWER INSTRUMENT PANEL SUB-ASSEMBLY

- (a) Install the instrument panel.
- (b) Connect all the connectors and attach all the clamps.
- (c) Install the 2 screws.
- (d) Install the 6 bolts.
- (e) Install the 8 clips to the duct and lower instrument panel.

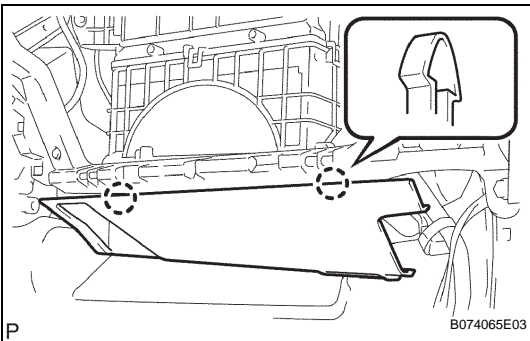


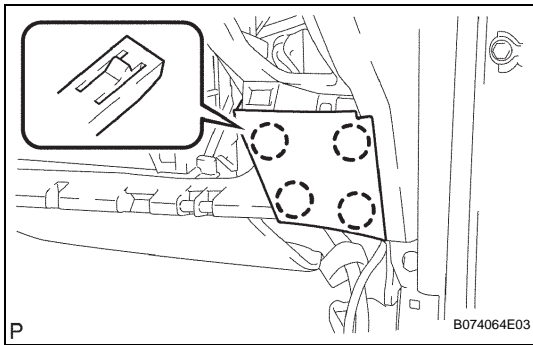
2. INSTALL SHIFT LEVER ASSEMBLY LOWER

3. INSTALL POWER STEERING ECU

4. INSTALL NO. 1 INSTRUMENT PANEL UNDER COVER SUB-ASSEMBLY

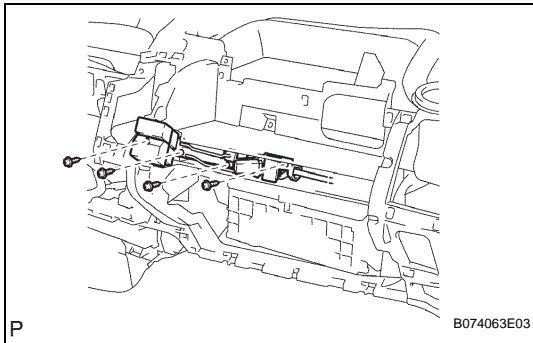
- (a) Attach the 2 claws to install the instrument panel under cover.





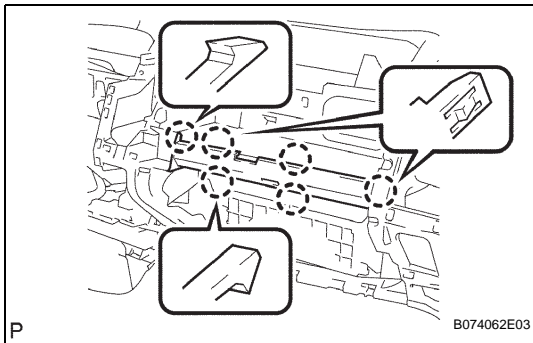
5. INSTALL INSTRUMENT PANEL FINISH PANEL LOWER

- (a) Attach the 4 claws to install the instrument panel finish panel.



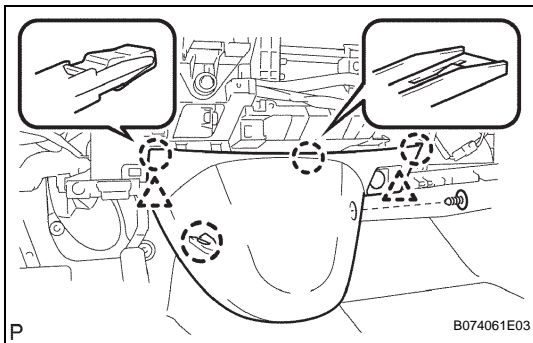
6. INSTALL GLOVE COMPARTMENT DOOR LOCK ASSEMBLY

- (a) Install the glove compartment door lock with the 4 screws.



7. INSTALL GLOVE COMPARTMENT DOOR LOCK COVER

- (a) Attach the 6 claws to install the glove compartment door lock cover.

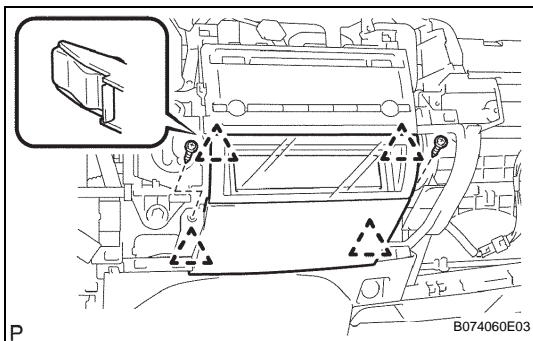


8. INSTALL INSTRUMENT PANEL FINISH PANEL LOWER CENTER

- (a) Attach the 4 claws and 2 clips to install the instrument panel finish panel.
- (b) Install the clip.

9. INSTALL RADIO RECEIVER

10. INSTALL NO. 1 CENTER CLUSTER CUSHION



11. INSTALL INSTRUMENT CLUSTER FINISH PANEL ASSEMBLY CENTER

- (a) Attach the 4 claws and 2 clips to install the instrument cluster finish panel.
- (b) Install the 2 screws.

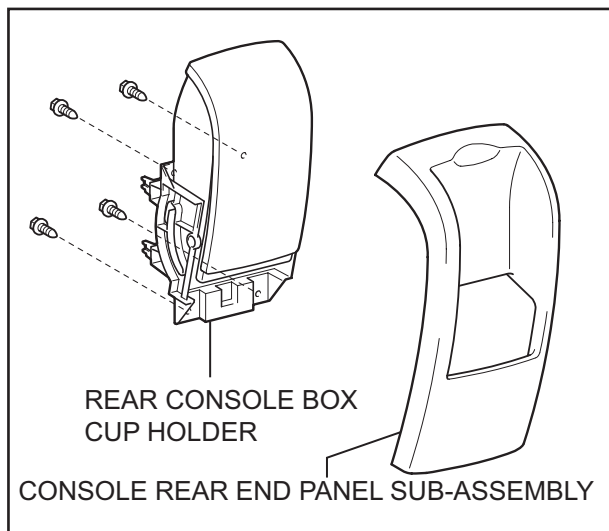
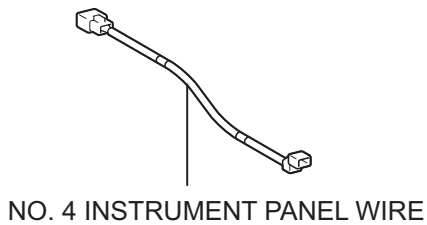
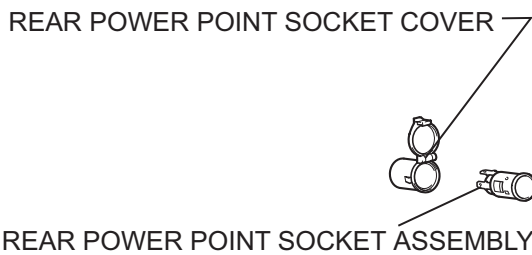
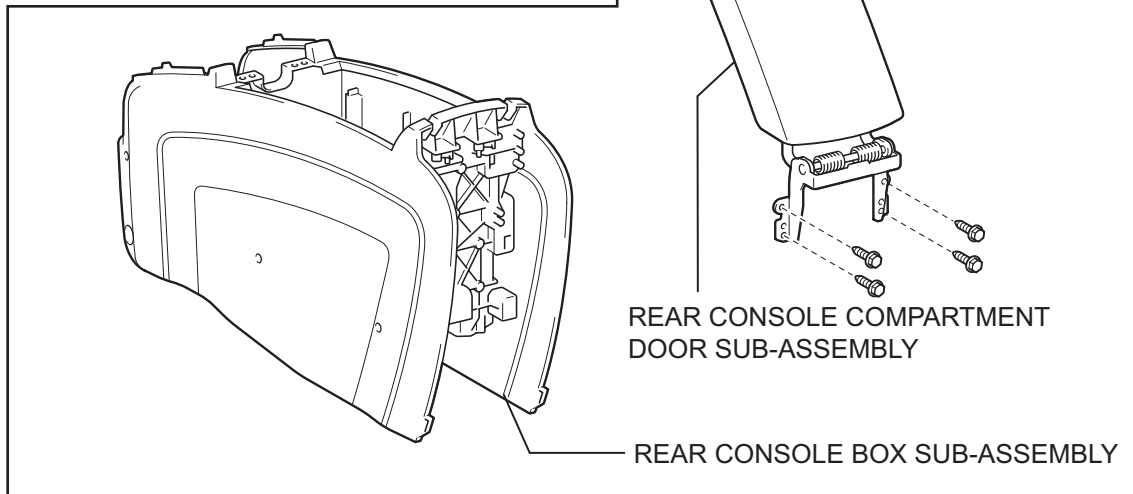
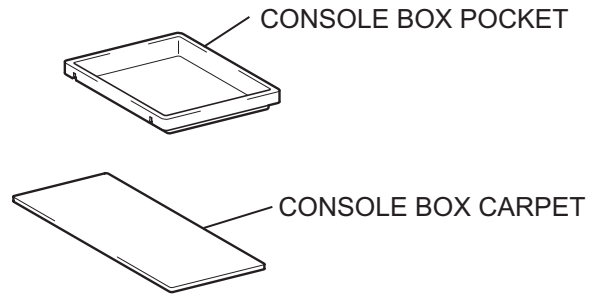
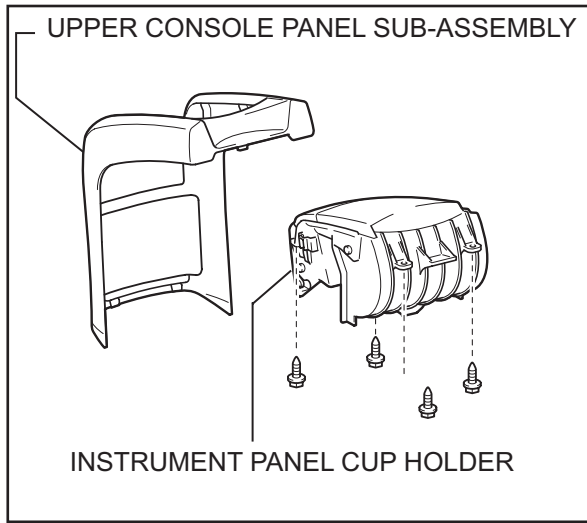
12. INSTALL COWL SIDE TRIM BOARD LH (See page IR-19)

13. INSTALL COWL SIDE TRIM BOARD RH (See page IR-19)

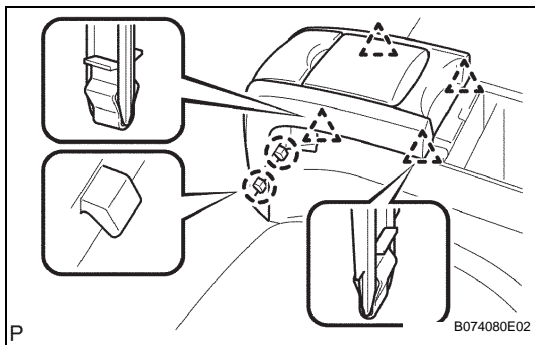
14. **INSTALL FRONT DOOR SCUFF PLATE LH** (See page [IR-19](#))
15. **INSTALL FRONT DOOR SCUFF PLATE RH** (See page [IR-19](#))
16. **INSTALL SPIRAL CABLE SUB-ASSEMBLY** (See page [RS-278](#))
17. **INSTALL STEERING COLUMN COVER** (See page [SR-14](#))
18. **INSTALL TILT LEVER BRACKET** (See page [SR-14](#))
19. **INSTALL STEERING WHEEL ASSEMBLY** (See page [SR-15](#))
20. **INSTALL STEERING PAD ASSEMBLY** (See page [RS-269](#))
21. **INSTALL NO. 3 STEERING WHEEL COVER LOWER**
22. **INSTALL NO. 2 STEERING WHEEL COVER LOWER**
23. **INSTALL INSTRUMENT PANEL SAFETY PAD**
 - (a) Install the instrument panel (see page [IP-11](#)).
24. **CONNECT CABLE TO NEGATIVE BATTERY TERMINAL**
25. **PERFORM INITIALIZATION**
 - (a) Perform initialization (see page [IN-32](#)).
NOTICE:
Certain systems need to be initialized after disconnecting and reconnecting the cable from the negative (-) battery terminal.
26. **CHECK SRS WARNING LIGHT**
 - (a) Check the SRS warning light (see page [RS-31](#)).

REAR CONSOLE BOX

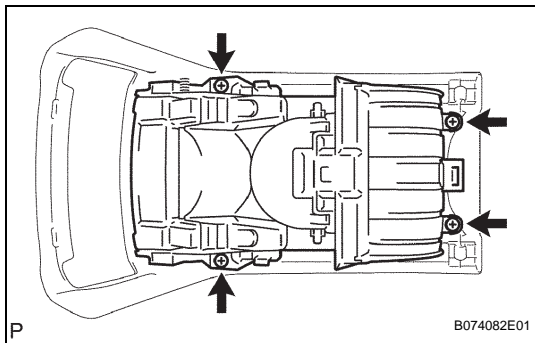
COMPONENTS



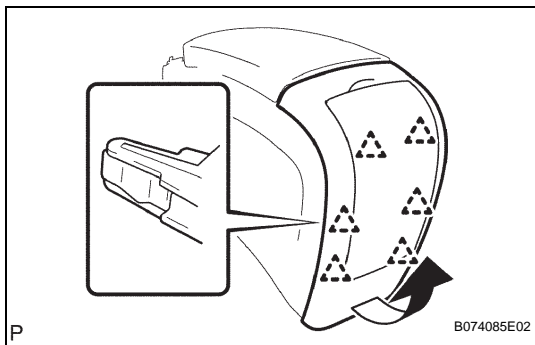
IP

REMOVAL**1. REMOVE UPPER CONSOLE PANEL SUB-ASSEMBLY**

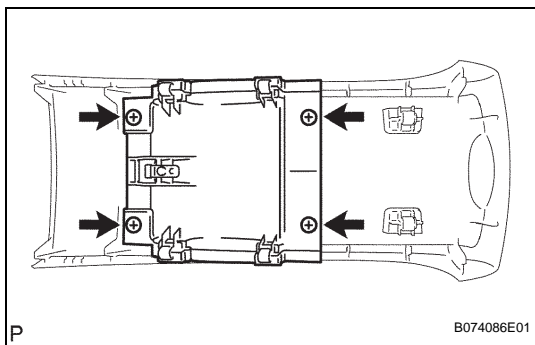
- (a) Pull the console panel sub-assembly upper upwards and disengage the 2 claws.
- (b) Detach the 4 clips and remove the console panel.



- (c) Remove the 4 screws and instrument panel cup holder.

2. REMOVE CONSOLE BOX POCKET**3. REMOVE CONSOLE BOX CARPET****4. REMOVE CONSOLE REAR END PANEL SUB-ASSEMBLY**

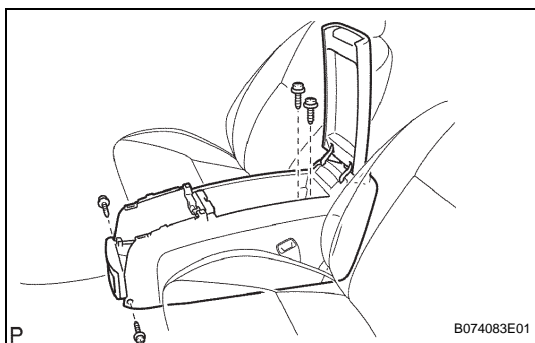
- (a) Pull up the console rear end panel sub-assembly in the direction indicated by the arrow to detach the 6 clips, and remove the console rear end panel.



- (b) Remove the 4 screws and rear console box cup holder.

5. REMOVE REAR CONSOLE BOX SUB-ASSEMBLY

- (a) Remove the 2 screws, 2 bolts and console box.



DISASSEMBLY

1. REMOVE NO. 4 INSTRUMENT PANEL WIRE
2. REMOVE REAR POWER POINT SOCKET ASSEMBLY
3. REMOVE REAR POWER POINT SOCKET COVER
4. REMOVE REAR CONSOLE COMPARTMENT DOOR SUB-ASSEMBLY

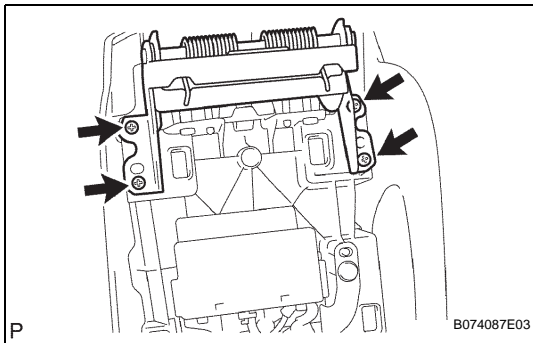
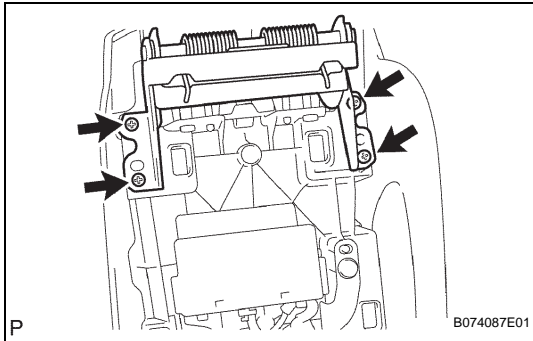
HINT:

While the console compartment door sub-assembly rear is part of the console box, it may be replaced on its own. Refer to the procedure below when removing it.

- (a) Remove the 4 screws and console compartment door.

NOTICE:

If the screws are removed while the door is closed, the hinge spring may cause the screws to fly out. Because of this, be sure to remove the screws while the door is open.

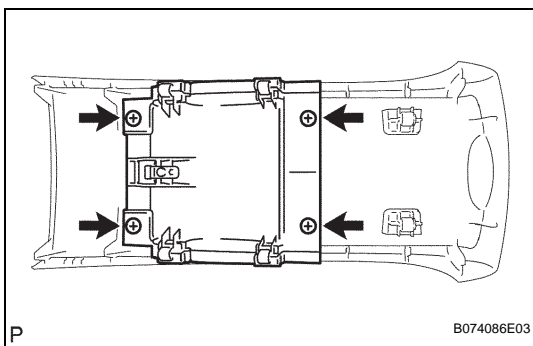
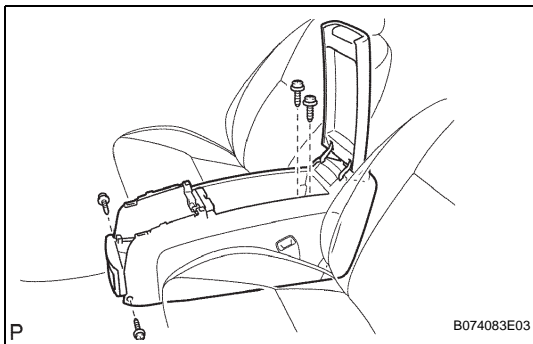


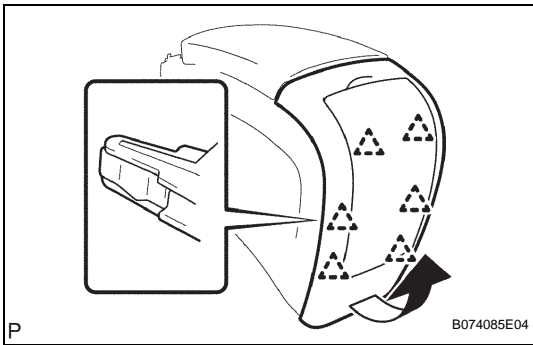
REASSEMBLY

1. INSTALL REAR CONSOLE COMPARTMENT DOOR SUB-ASSEMBLY
 - (a) Install the console compartment door with the 4 screws.
2. INSTALL REAR POWER POINT SOCKET COVER
3. INSTALL REAR POWER POINT SOCKET ASSEMBLY
4. INSTALL NO. 4 INSTRUMENT PANEL WIRE

INSTALLATION

1. INSTALL REAR CONSOLE BOX SUB-ASSEMBLY
 - (a) Install the console box with the 2 screws and 2 bolts.
2. INSTALL CONSOLE REAR END PANEL SUB-ASSEMBLY
 - (a) Install the rear console box cup holder with the 4 screws.

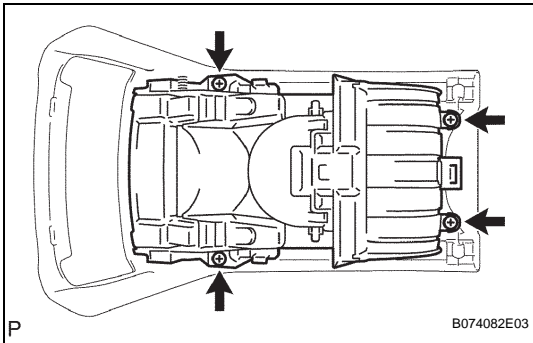




(b) Attach the 6 clips to install the console rear end panel.

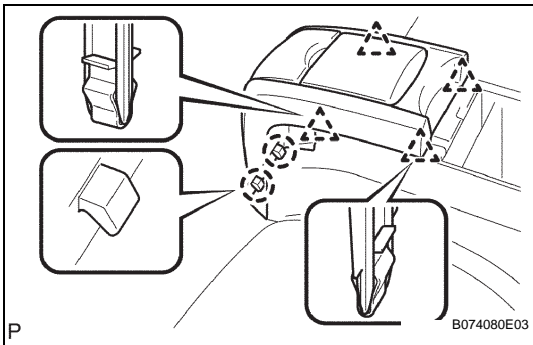
3. INSTALL CONSOLE BOX CARPET

4. INSTALL CONSOLE BOX POCKET



5. INSTALL UPPER CONSOLE PANEL SUB-ASSEMBLY

(a) Install the instrument panel cup holder with the 4 screws.



(b) Attach the 4 clips and 2 claws to install the console panel.